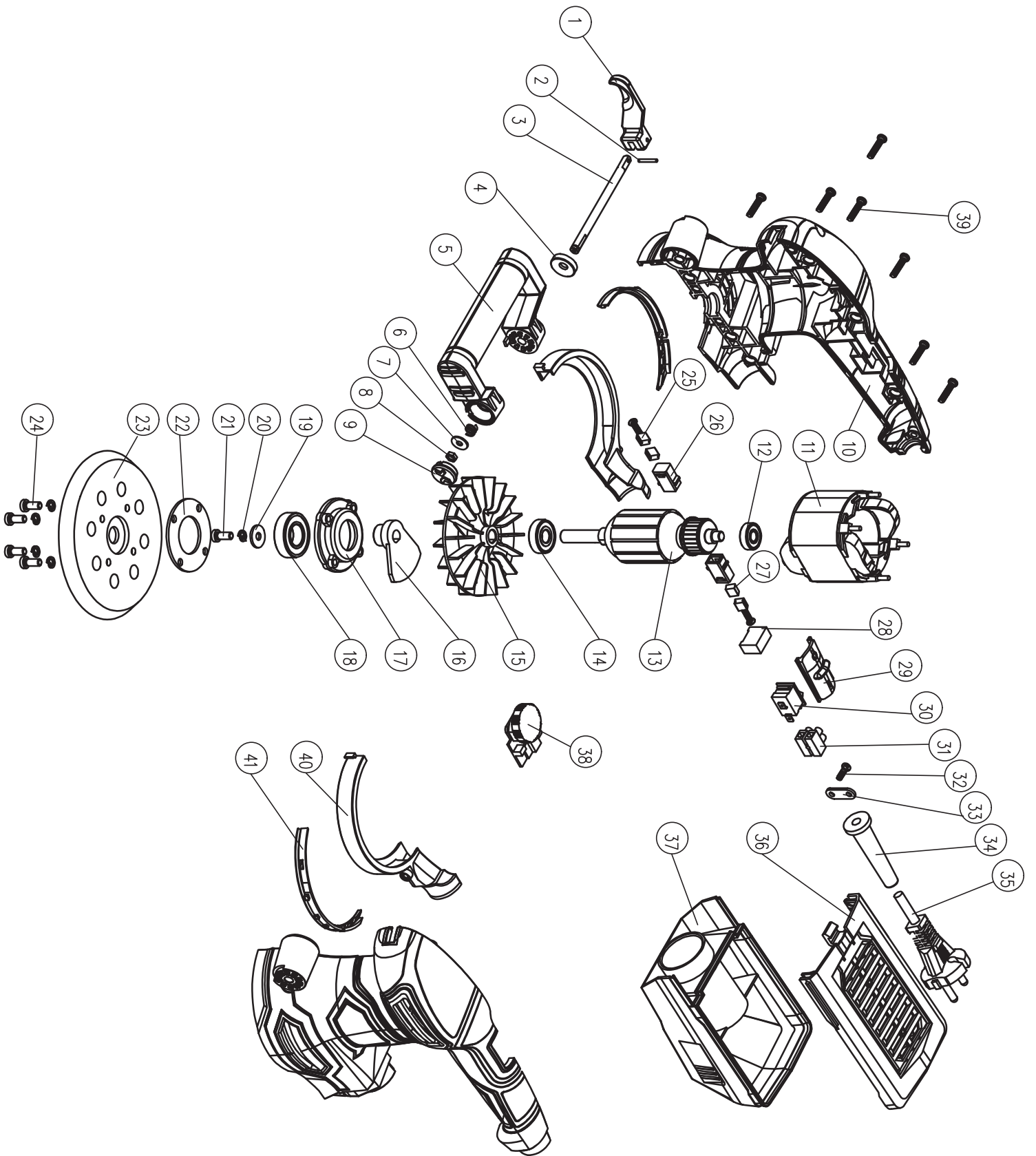


MPRS450V



MPRS450V SPARE PART LIST

PART NO	ARTICLE CODE	DESCRIPTION	SPECIFICATION	WEARING PART	QTY REQUIRED	UNIT
1	111-0512-001	locking trigger	PA6-GF30	×	1	pcs
2	111-0512-002	pin		×	1	pcs
3	111-0512-003	joint lever		×	1	pcs
4	111-0512-004	ring gasket	PA6-GF30	×	1	pcs
5	111-0512-005	auxiliary handle	PA6-GF30	×	1	pcs
6	111-0512-006	screw		×	1	pcs
7	111-0512-007	washer		×	1	pcs
8	111-0512-008	nut		×	1	pcs
9	111-0512-009	handle cover		×	1	pcs
10	111-0512-010	housing	PA6-GF30	×	2	pcs
11	111-0512-011	stator		√	1	pcs
12	111-0512-012	bearing	607Z	√	1	pcs
13	111-0512-013	rotor		√	1	pcs
14	111-0512-014	bearing	609Z	√	1	pcs
15	111-0512-015	fan	PA6-GF30	×	1	pcs
16	111-0512-016	balance block	zinc alloy	×	1	pcs
17	111-0512-017	bearing holder	zinc alloy	√	1	pcs
18	111-0512-018	bearing	6002RS	×	1	pcs
19	111-0512-019	washer		×	1	pcs
20	111-0512-020	clip ring		×	5	pcs
21	111-0512-021	screw	M5X16	×	1	pcs
22	111-0512-022	press plate	Q235	×	1	pcs
23	111-0512-023	base plate		√	1	pcs
24	111-0512-024	screw		×	4	pcs
25	111-0512-025	carbon brush		√	2	pcs
26	111-0512-026	brush box		×	2	pcs
27	111-0512-027	brush holder		×	2	pcs
28	111-0512-028	capacitor		×	1	pcs
29	111-0512-029	switch button		×	1	pcs
30	111-0512-030	switch		√	1	pcs
31	111-0512-031	terminal block		×	1	pcs
32	111-0512-032	screw	ST3.9X12	×	1	pcs
33	111-0512-033	cord plate		×	1	pcs
34	111-0512-034	cord sleeve		×	1	pcs
35	111-0512-035	cord & plug		×	1	pcs
36	111-0512-036	dust box cover		×	1	pcs
37	111-0512-037	dust box		×	1	pcs
38	111-0512-038	screw	ST3.9X19	×	7	pcs
39	111-0512-039	dust outlet		×	2	pcs
40	111-0512-040	brake ring		×	2	pcs